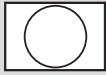


Diplomat



Available Screen Materials

Arctiq



The screen fabric has a matt white surface.

GreyLight (gain 0.93)



The screen fabric has a high contrast matt grey surface.

FlexRear



Grey rear projection diffusing surface. Provides high resolution and excellent contrast.

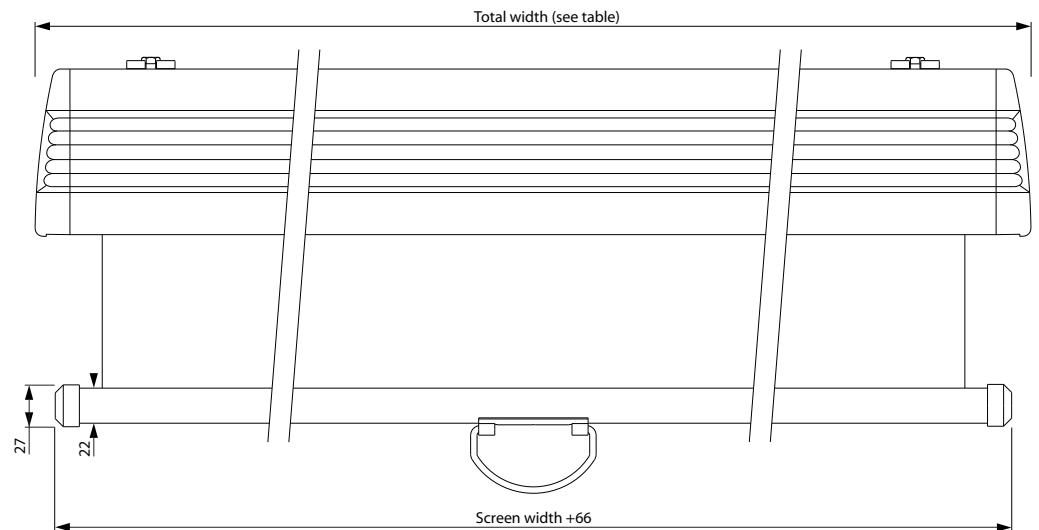
Acoustic



White sound transparent material which provides 180° viewing angle.

Diplomat is a high quality screen which, thanks to the robust construction and flexible installation, is the preferred screen among our professional buyers. The installation is very flexible with mounting brackets that can be adjusted sideways to preferred positions. The screen can be mounted on the wall as well as in the ceiling. It comes in a white painted aluminium case and is operated manually.

Screen Dimensions



Available Formats



Nordic Format, height > width, with extra height that gives additional flexibility. No black borders.



The screen format is 1:1. No black borders.



The screen has 5 cm wide black borders. The format of the viewing area is 4:3.



The screen has 5 cm wide black borders. The format of the viewing area is 16:10.



The screen has 5 cm wide black borders. The format of the viewing area is 16:9.



The screen has 5 cm wide black borders. The format of the viewing area is 2.35:1.

Screen width	Total width
1250 - 2000	Screen width +86
2200 - 3000	Screen width +94

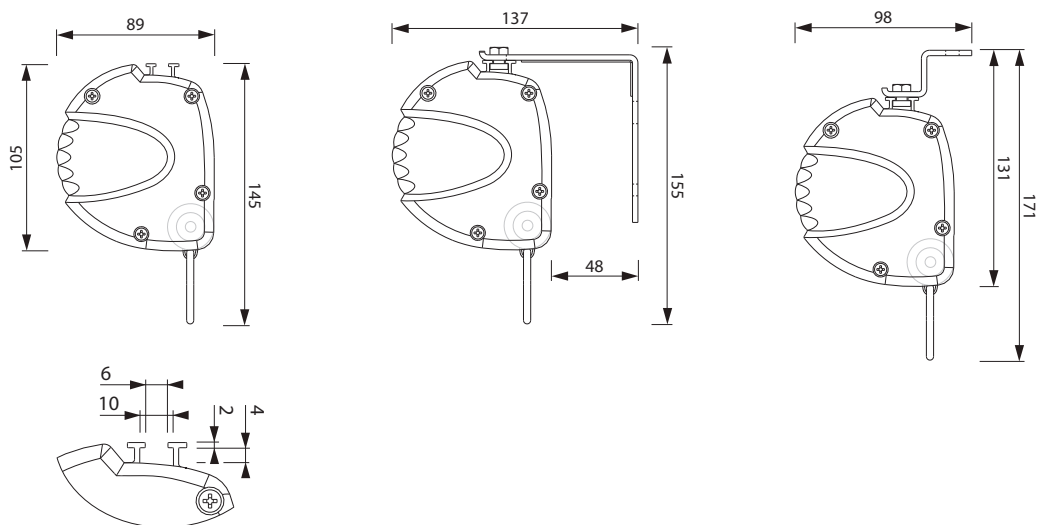
Example - Diplomat Dimensions

Model: DD1817-W

Screen width: 1800 mm

Total width: 1800 mm + 86 mm = 1886 mm

Bar width: 1800 mm + 66 mm = 1866 mm



All dimensions in this document are in mm

Document PDSDD ver 1.1, page 1 of 2



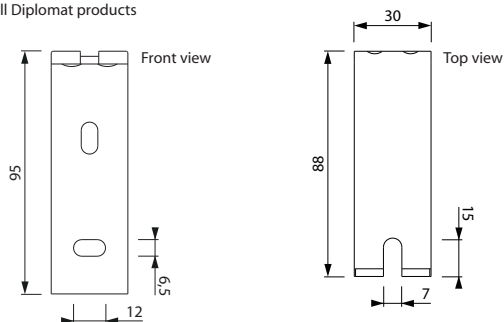
Bjurab Sweden AB
 Kristinebergsvägen 22
 SE-302 41 Halmstad
 Sweden

Tel: +46 - 35 - 144290
 Fax: +46 - 35 - 144291
 Email: info@bjurab.se
 Web: www.bjurab.se

Bracket Dimensions

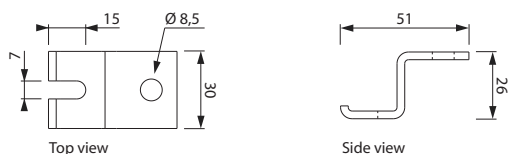
Brackets – Wall

Included in all Diplomat products

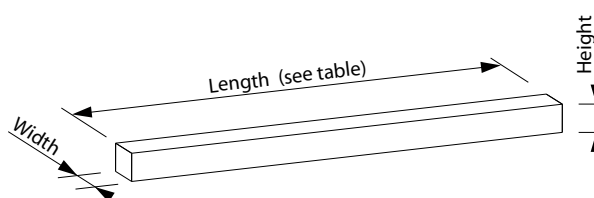


Brackets – Ceiling

Included in all Diplomat products



Packaging Dimensions



Screen width	Box length	Box width	Box height
1250 - 1600	1820	150	125
1800	2020	150	125
2000	2220	150	125
2200	2570	120	120
2400	2770	120	120
2700	3070	120	120
3000	3370	120	120

Article Numbers for Diplomat

Nordic Format, H > W

ART. NO	SCREEN SIZE WIDTH x HEIGHT	WT. KG
DD1420	1400 x 2000	6.4
DD1520	1500 x 2000	6.7
DD1620	1600 x 2000	7.0
DD1820	1800 x 2000	7.8

Other Formats

DD2724	2700 x 2250	15.1
DD3024	3000 x 2250	16.8

Square Format, 1 : 1

ART. NO	SCREEN SIZE WIDTH x HEIGHT	WT. KG
DD125	1250 x 1250	5.6
DD150	1500 x 1500	6.5
DD180	1800 x 1800	7.8
DD200	2000 x 2000	8.7
DD220	2200 x 2200	12.0
DD240	2400 x 2400	13.1
DD270	2700 x 2700	15.8
DD300	3000 x 3000	17.8

Video Format, 4 : 3

ART. NO	SCREEN SIZE WIDTH x HEIGHT	VIEW AREA WIDTH x HEIGHT	WT. KG
DD1617-V	1600 x 1850	1500 x 1125	7.4
DD1817-V	1800 x 1850	1700 x 1275	7.8
DD2017-V	2000 x 1850	1900 x 1425	10.4
DD2217-V	2200 x 1800	2100 x 1575	11.8
DD2420-V	2400 x 2050	2300 x 1725	13.2
DD2724-V	2700 x 2250	2600 x 1950	15.1
DD3024-V	3000 x 2350	2900 x 2175	17.0

Wide Format, 16 : 9

ART. NO	SCREEN SIZE WIDTH x HEIGHT	VIEW AREA WIDTH x HEIGHT	WT. KG
DD1617-W	1600 x 1850	1500 x 845	7.4
DD1817-W	1800 x 1850	1700 x 955	7.8
DD2017-W	2000 x 1850	1900 x 1070	10.4
DD2217-W	2200 x 1800	2100 x 1180	11.8
DD2417-W	2400 x 1800	2300 x 1295	12.8
DD2724-W	2700 x 2050	2600 x 1460	15.0
DD3024-W	3000 x 2050	2900 x 1630	16.6

All weights are gross (total weight including packaging, brackets etc.).

Standard screen material is white. Screens with Greylight, Greyline, ReAct, Rear Projection and Acoustic fabric are available in sizes with maximum height of 2400 mm.

For article numbers with Greylight replace DD by DG. Example: An 2217-W with Greylight fabric = DG2217-W

For article numbers with Greyline replace DD by DGL. Example: An 2217-W with Greyline fabric = DGL2217-W

For article numbers with ReAct replace DD by DS. Example: An 2217-W with ReAct fabric = DS2217-W

For article numbers with Rear Projection replace DD by DR. Example: An 200 with Rear Projection = DR200

For article numbers with Acoustic replace DD by DA. Example: An 2217-W with Acoustic fabric = DA2217-W

For article numbers with CinemaScope (2.35:1), please see our pricelist.

Accessories

ARTICLE NO

485030	30 cm brackets, pair
485050	50 cm brackets, pair
485075	75 cm brackets, pair

ARTICLE NO

340000	Magnetic strip, 60 cm
340004	Supermagnet with hook
400100	Drawstick, 100 cm

ARTICLE NO

400140	Drawstick, 140 cm
400300	Screen Cleaning Spray, 250 ml

All dimensions in this document are in mm.

Document PDSDD ver 1.1, page 2 of 2



Bjurab Sweden AB
Kristinebergsvägen 22
SE-302 41 Halmstad
Sweden

Tel: +46 – 35 – 144290
Fax: +46 – 35 – 144291

Email: info@bjurab.se
Web: www.bjurab.se